

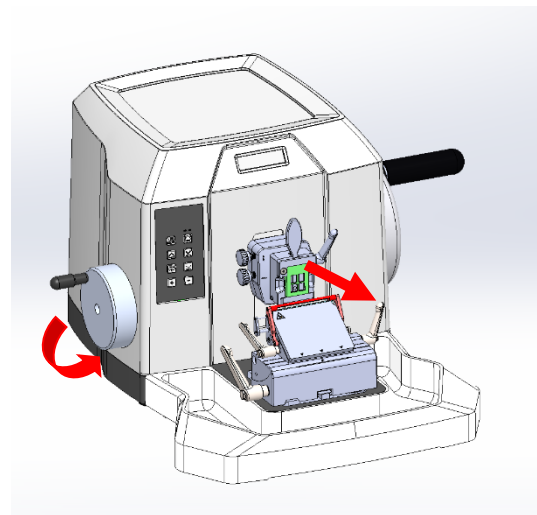
2nd HANDWHEEL

This microtome is equipped with a second handwheel on the left-hand side of the device, the coarse advance.

How to use it:

Turn the handwheel on the left-hand side of the device to move the specimen towards the knife or blade.

An acoustic signal is emitted at the mechanical end positions. In this case, do not continue to turn in the same direction, as this may cause damage to the device.



Coarse advance of specimen

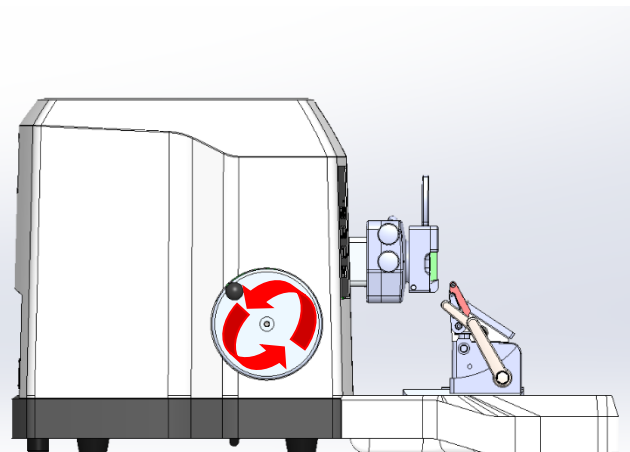
The opposite direction of rotation can be selected. As a standard when turning clockwise, the sledge moves out.

The direction can easily be changed:

1. If the device is on, turn it off.
2. Press the FWD and the REV button at the same time, hold.



3. Turn the device on.
4. Let go of the buttons.
5. Done!



Change the direction of the rotation



Please note:

The coarse feed of the specimen can also be carried out using the pushbuttons. The travel path always equals the set value (like jog mode advance / return of specimen).